

**RIFLE MOUNTS USED WITH,  
RIFLESCOPES YUKON and PULSAR**  
Based on image intensifier tubes Generation 1, CF-Super, 2+, 3

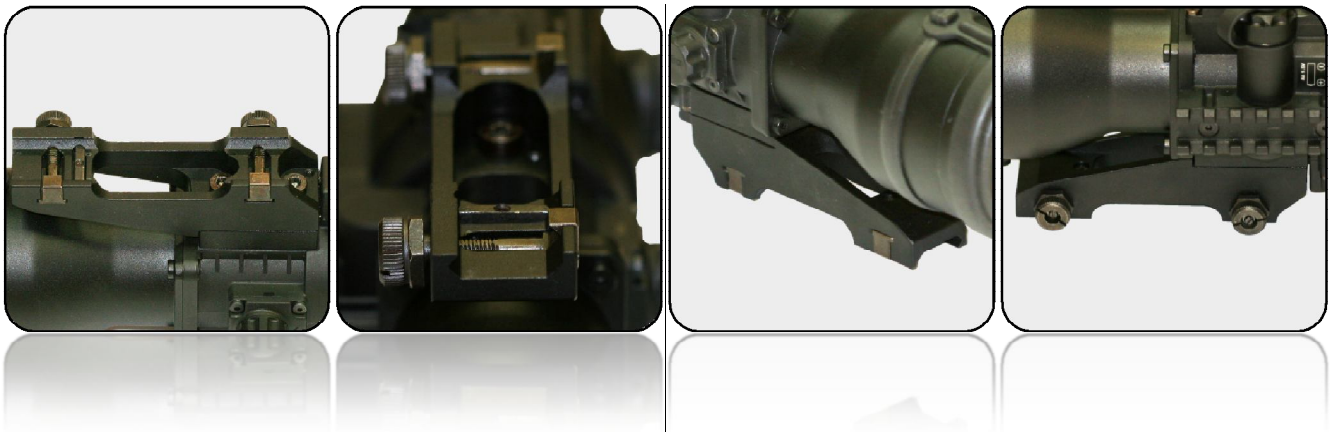
**WEAVER MOUNT**

**Name (in the name of the riflescope):** **Weaver**

**Description:**

Weaver mount is designated for installation of riflescope on hunting weapons, that are equipped with Weaver or Picatinny rails (majority of weapons manufactured in the USA, Russia and Europe). The front part of the mount has a transverse stopper (pin) that prevents shifting of riflescope during the recoil. The pin is removable bilateral; its position is defined depending on what rail (Weaver or Picatinny) the riflescope is mounted. It is not supplied as a separate catalogue position.

**Image:**



**Main parameters:**

- Total mount length, mm: 115
- Length of mounting part, mm: 103
- Distance between the centers of locking screws, mm: 77

**Applied in riflescopes:**

- Phantom 3x50 и 4x60
- Sentinel / Sentinel L 2.5x50 и 3x60
- Sentinel G2+ 3x50 и 4x60
- Sentinel GS 2x50 и 2.5x60

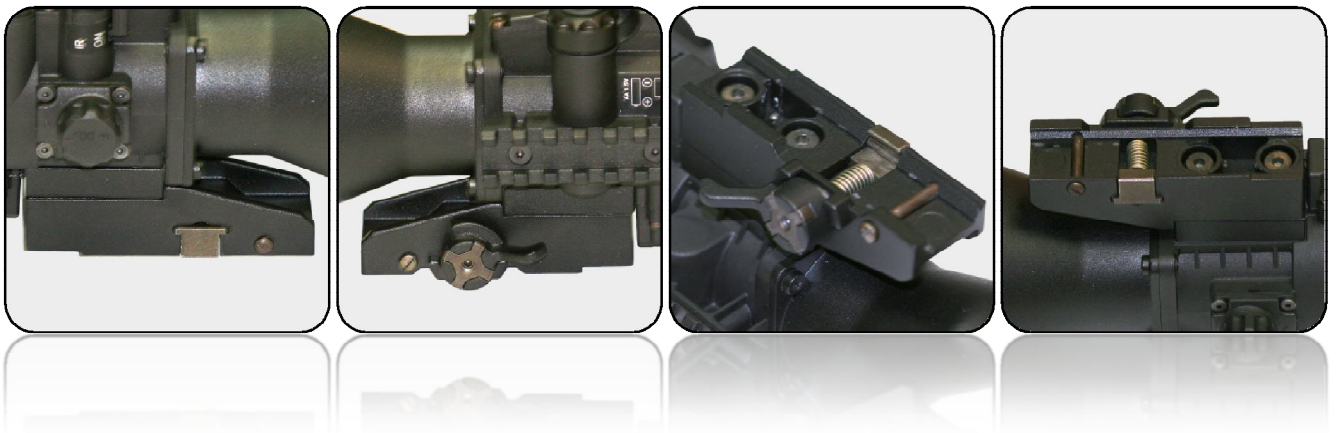
## RIFLE MOUNT WEAVER-AUTO

**Name (in the name of the riflescope):** Weaver-Auto

**Description:**

Weaver-auto mount is designated for installation of riflescope on hunting weapons, that are equipped with Weaver or Picatinny rails (majority of weapons manufactured in the USA, Russia and Europe). The front part of the mount has a transverse stopper (pin) that prevents shifting of riflescope during the recoil. The rifle mount allows quick and multiple removal of riflescope from the weapon and its recurrent installation without zeroing. It is not supplied as a separate catalogue position.

**Image:**



**Main parameters:**

- Total mount length, mm: 94
- Length of mounting part, mm: 76

**Applied in riflescopes:**

- Phantom 3x50 и 4x60
- Sentinel / Sentinel L 2.5x50 и 3x60
- Sentinel G2+ 3x50 и 4x60
- Sentinel GS 2x50 и 2.5x60

## RIFLE MOUNT WEAVER-LONG

**Name (in the name of the riflescope):** Weaver Long

**Description:**

Weaver-long mount is designated for installation of riflescope on hunting weapons, that are equipped with Weaver or Picatinny rails (majority of weapons manufactured in the USA, Russia and Europe). The front part of the mount has a transverse stopper (pin) that prevents shifting of riflescope during the recoil. The pin is removable bilateral; its position is defined depending on what rail (Weaver or Picatinny) the riflescope is mounted. Differs from ordinary Weaver in size. It is not supplied as a separate catalogue position.

**Image:**



**Main parameters:**

- Total mount length, mm: 173
- Length of mounting part, mm: 112
- Distance between the centers of locking screws, mm: 87

**Applied in riflescopes:**

- Phantom 3x50 и 4x60
- Sentinel / Sentinel L 2.5x50 и 3x60
- Sentinel G2+ 3x50 и 4x60
- Sentinel GS 2x50 и 2.5x60

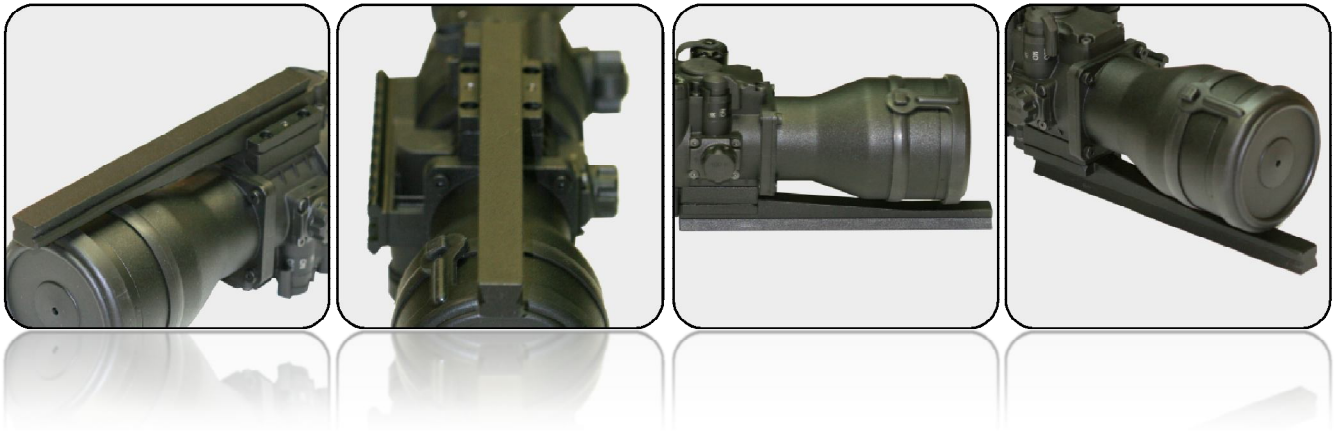
## RIFLE MOUNT PRISM 14/200 («EUOPRISM»)

**Name (in the name of the riflescope): Prism 14/200**

**Description:**

Rifle mount Prism 14/200 ("Europrism") is a universal base for placing mounts of different manufacturers including EAW (Apel), Blaser, MAK and others. It is not supplied as a separate catalogue position.

**Image:**



**Main parameters:**

- Total mount length, mm: 185
- Length of mounting part, mm: 185

**Applied in riflescopes:**

- Phantom 3x50 и 4x60
- Sentinel / Sentinel L 2.5x50 и 3x60
- Sentinel G2+ 3x50 и 4x60
- Sentinel GS 2x50 и 2.5x60

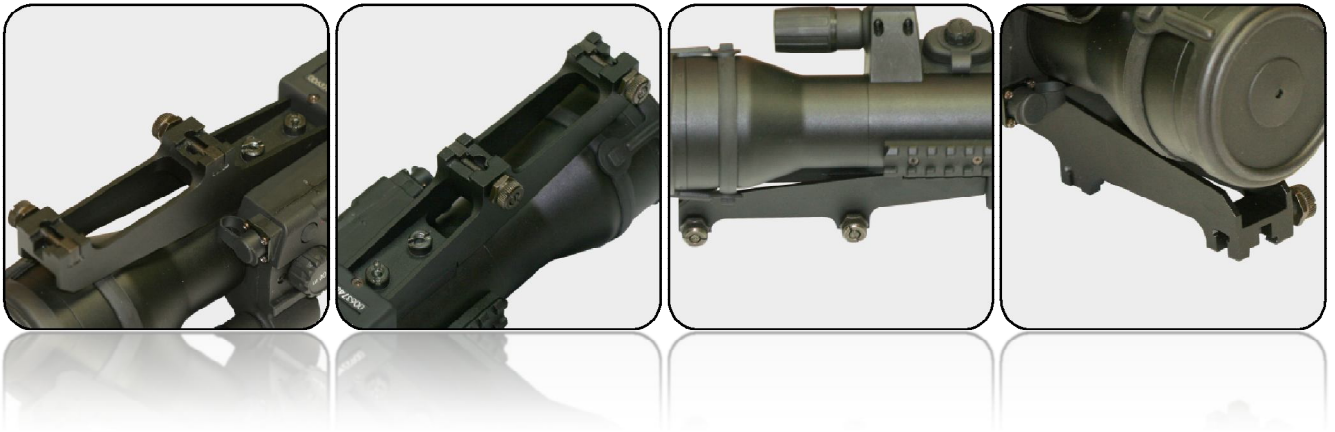
## LOS/DOVETAIL RIFLE MOUNT

**Name (in the name of the riflescope):** Los/Dovetail

**Description:**

Rifle mount Los/Dovetail allows installation of riflescopes on carbines «Los 7-1», «Los 4», «Bars 4-1» and other weapons manufactured in Russia and Europe, that have upper mount «dovetail». It cannot be installed on carbines «Los 9». It is not supplied as a separate catalogue position.

**Image:**



**Main parameters:**

- Total mount length, mm: 165
- Length of mounting part, mm: 104
- Distance between the centers of locking screws, mm: 87
- Can be installed on the “dovetail” rail with a maximum width, mm: 14,5

**Applied in riflescopes:**

- Phantom 3x50 и 4x60
- Sentinel / Sentinel L 2.5x50 и 3x60
- Sentinel G2+ 3x50 и 4x60
- Sentinel GS 2x50 и 2.5x60

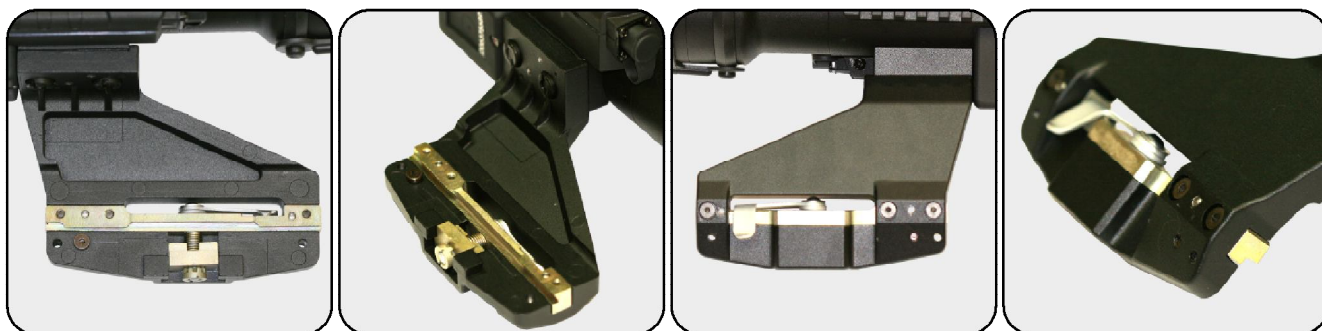
## AK SIDE MOUNT

**Name (in the name of the riflescope): AK Side mount**

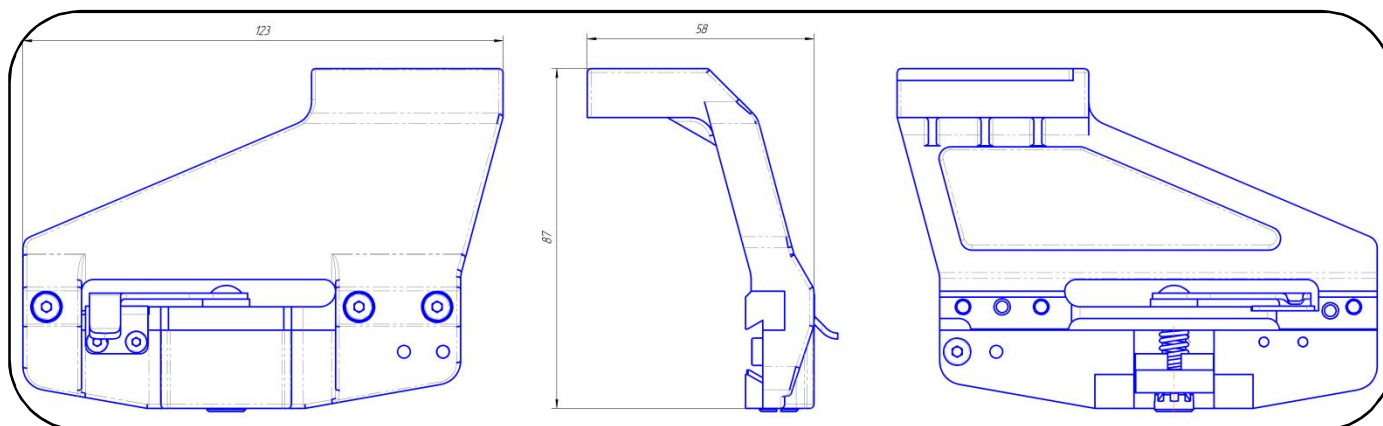
### Description:

Side mount is a gun mount that allows to install the riflescope on the weapons manufactured in Soviet Union or Russia equipped with side rail dovetail including carbines «Saiga», «Tigr», «Vepr», SKS and others. It is not supplied as a separate catalogue position.

### Image:



### Main parameters:



### Applied in riflescopes:

- Phantom 3x50 и 4x60
- Sentinel / Sentinel L 2.5x50 и 3x60
- Sentinel G2+ 3x50 и 4x60
- Sentinel GS 2x50 и 2.5x60

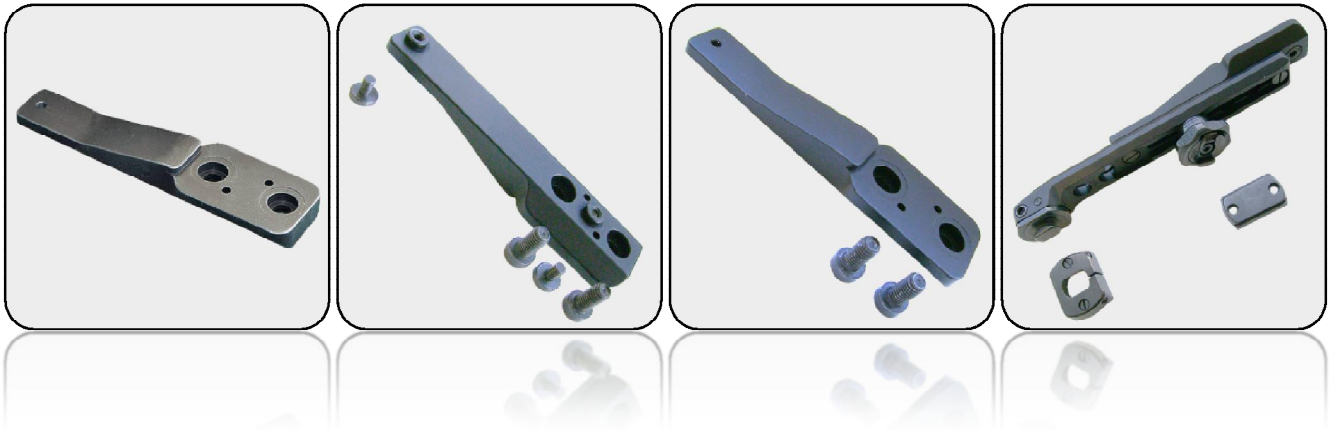
## MAK ADAPTOR

Name (in the name of the riflescope): **MAK Adaptor**

### Description:

MAK adaptor allows to equip the riflescopes with a monoblock mounts MAK (MAK Milmont, MAR Flex and others) for further installation on the weapon. It is not supplied as a separate catalogue position.

### Image:



### Applied in riflescopes:

- Phantom 3x50 и 4x60